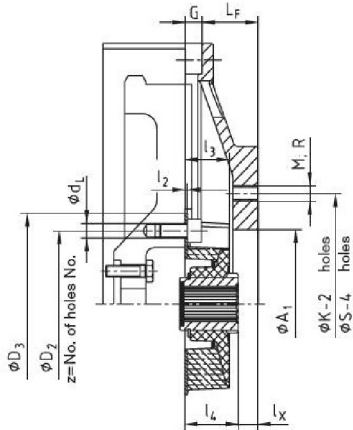


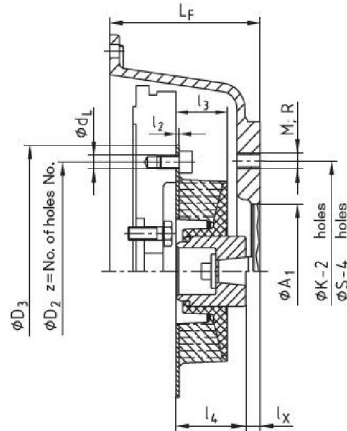
MONOLASTIC®

One-piece, flexible flange couplings

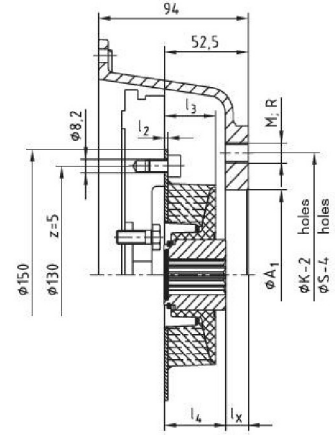
Examples of installation for type with 3 holes (EP 0853203/U.S. Patent 6,117,017)



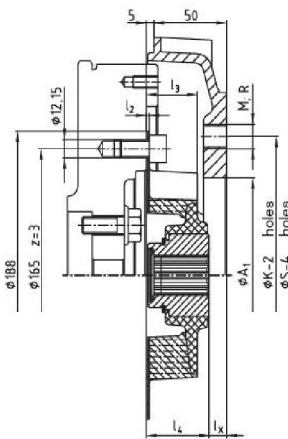
MONOLASTIC® 28
with spline shaft



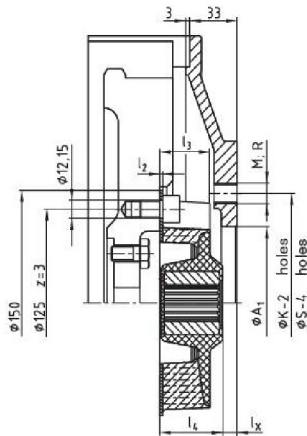
MONOLASTIC® 28
with taper shaft



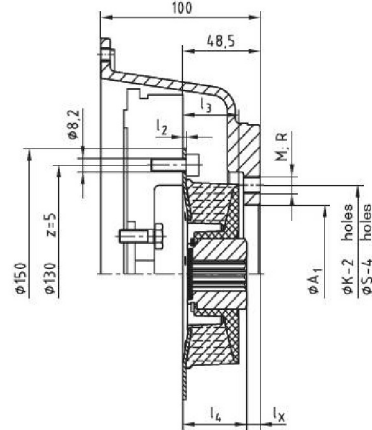
MONOLASTIC® 28
KUBOTA - Mini



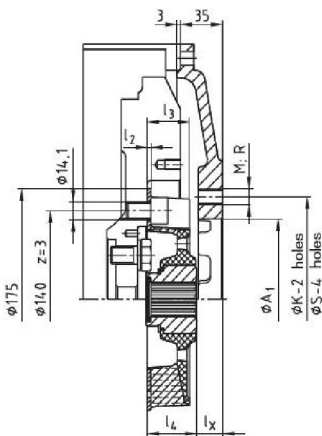
MONOLASTIC® 32 - 188
KUBOTA Super Three Series



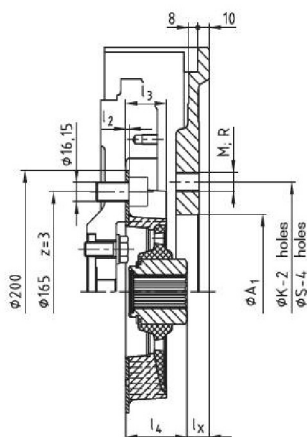
MONOLASTIC® 32 S



MONOLASTIC® 28
KUBOTA Super Mini



MONOLASTIC® 50 - 140

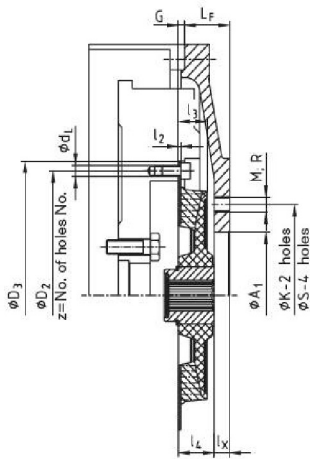


MONOLASTIC® 50 - 165

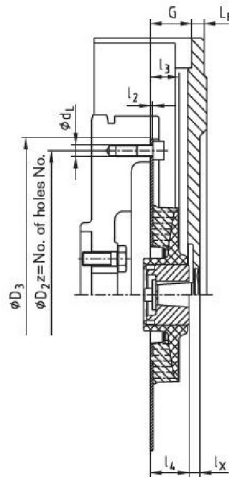
MONOLASTIC®

One-piece, flexible flange couplings

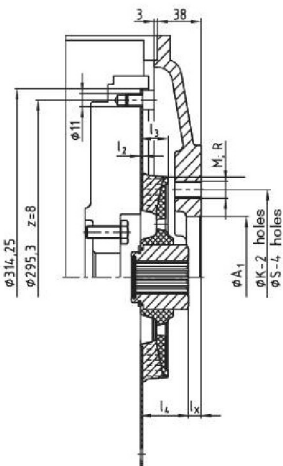
Examples of installation for SAE type (EP 0853203/U.S. Patent 6,117,017)



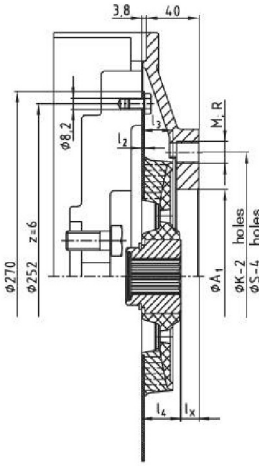
MONOLASTIC® 30
with spline shaft



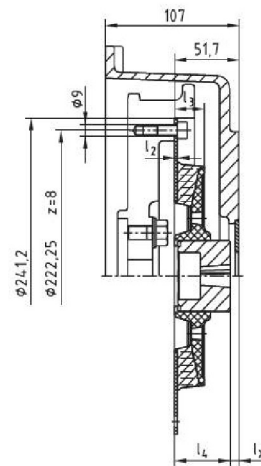
MONOLASTIC® 30
with taper shaft



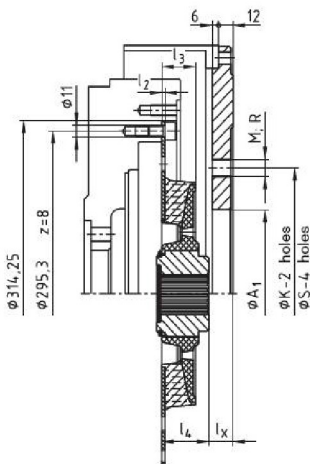
MONOLASTIC® 50 - 10⁶



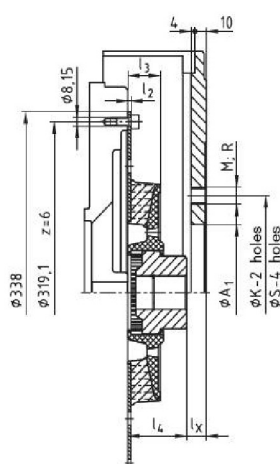
MONOLASTIC® 50 - 270
KUBOTA engine
D1803, V2403, V2403T



MONOLASTIC® 50
Perkins engine
403-13/403-15



MONOLASTIC® 65 - 10⁶



MONOLASTIC® 65 / T48

BoWex® FLE-PA/-PAC

BoWex-ELASTIC®

MONOLASTIC®